

### KEY FEATURES

- 2 way coaxial loudspeaker
- Built-in 100V transformer with 8 ohms option
- 4 individual power settings in 100V mode
- 90° dispersion angle
- White ABS back cover
- Easy to install
- Designed for public address ceiling applications

### TECHNICAL SPECIFICATIONS

Type	2 way coaxial loudspeaker
Nominal diameter	165 mm. 6.5 in.
Rated impedance	8 ohms.
Power capacity	45 w RMS (8 ohms.) 1.5 / 2.5 / 5 / 10 w (100 v)
Sensitivity	89 dB, 1 w @ 1 m
Frequency range	45-20000 Hz
Dispersion angle	90°
Transformer line	100 v

### MOUNTING INFORMATION

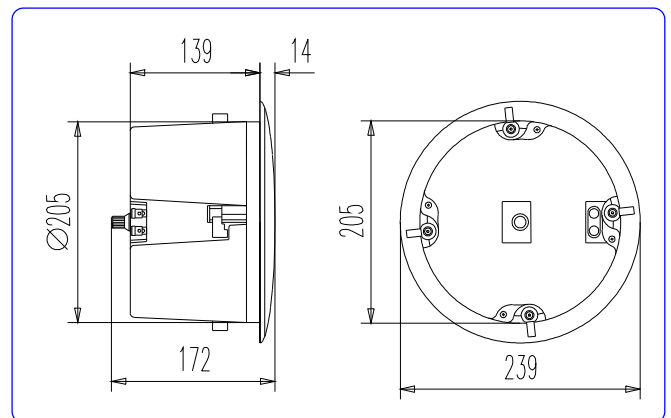
Overall diameter	239 mm. 9.41 in.
Mounting diameter	205 mm. 8.07 in.
Depth	172 mm. 6.77 in.
Net weight	2 kg. 4.4 lb.

### MATERIALS

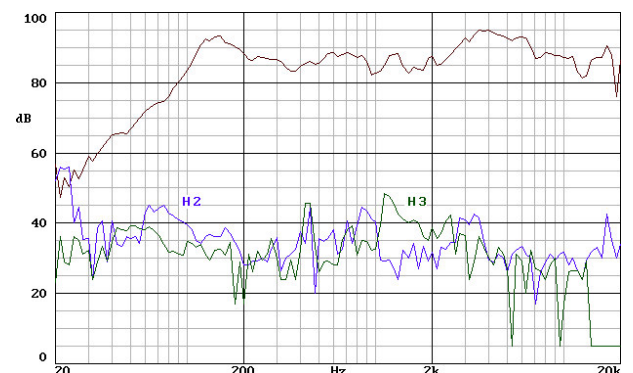
- **LF unit diaphragm:** propylene.
- **HF unit diaphragm:** polycarbonate.
- **Grid:** metal.
- **Back cover:** ABS.



### DIMENSION DRAWINGS



### FREQUENCY RESPONSE AND DISTORTION CURVES



Note: on axis frequency response measured with loudspeaker standing on infinite baffle in anechoic chamber, 1w @ 1m.